

## **GM-4**

### **Anesthetic Mask for Mice**

#### **Can be used for experiments with anesthesia**

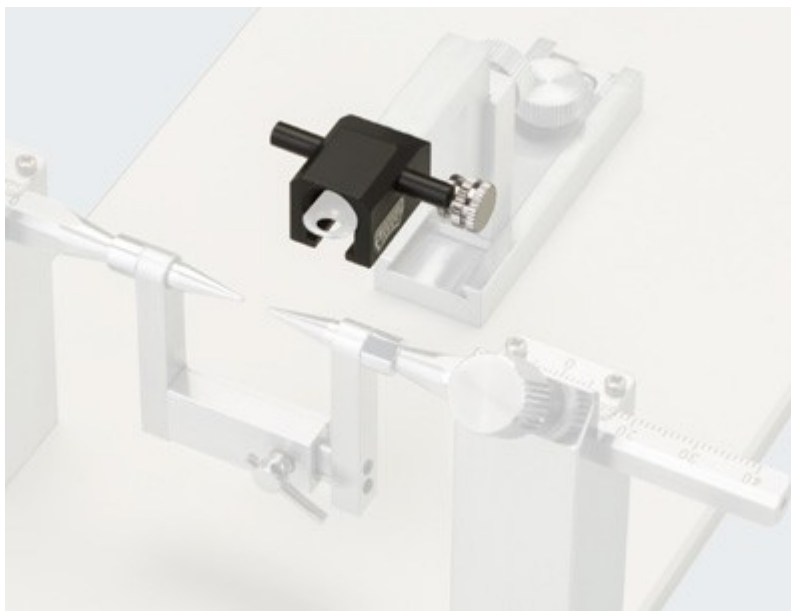
This extremely compact anesthesia mask hold the nose in place when attached to the holding adaptor's nose holder. The lab animal can be held firmly at 3 points (ear/mouth/nose). The GM-3 for rats is used with the SR-5R-HT / SR-6R-HT or RA-6N while the GM-4 for mice is used with the SR-5M-HT / SR-6M-HT or MA-6N.



# GM-4

## Anesthetic Mask for Mice

### Setting example



Setting example

### Specification

<b>Dimensions/Weight</b>	W20 × D28 × H14mm, 10g
<b>Inlet/outlet connecting port for anesthesia</b>	Outer diameter $\phi$ 4mm

\* This mask cannot be attached with the head holder for MRI measurement ([SRP-AM](#)) or newborn rats/mice ([SRS-A](#)).

\* GM-4 cannot be attached to [SG-4N](#). To mount GM-4 on a head holder, [SGM-4](#) is available.

Specifications are subject to change without notice.

Copyright © NARISHIGE Group. All Rights Reserved. 1999-2019